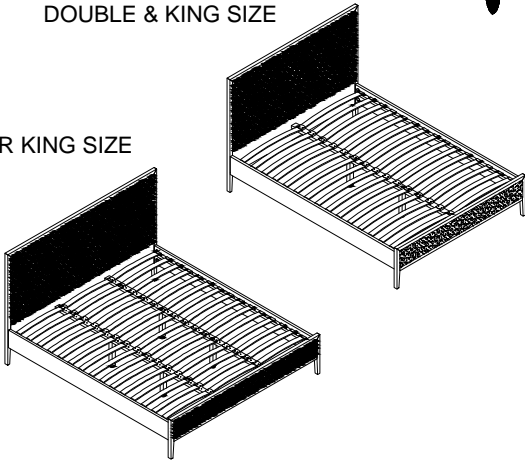


DOUBLE & KING SIZE

SUPER KING SIZE



PLEASE READ this sheet prior to assembly to familiarise yourself with the various stages of construction.

Carefully open the pack supplied and check the contents against the parts and fittings check list. Do not destroy any of the packaging until you are certain that you have all the necessary parts for the assembly.

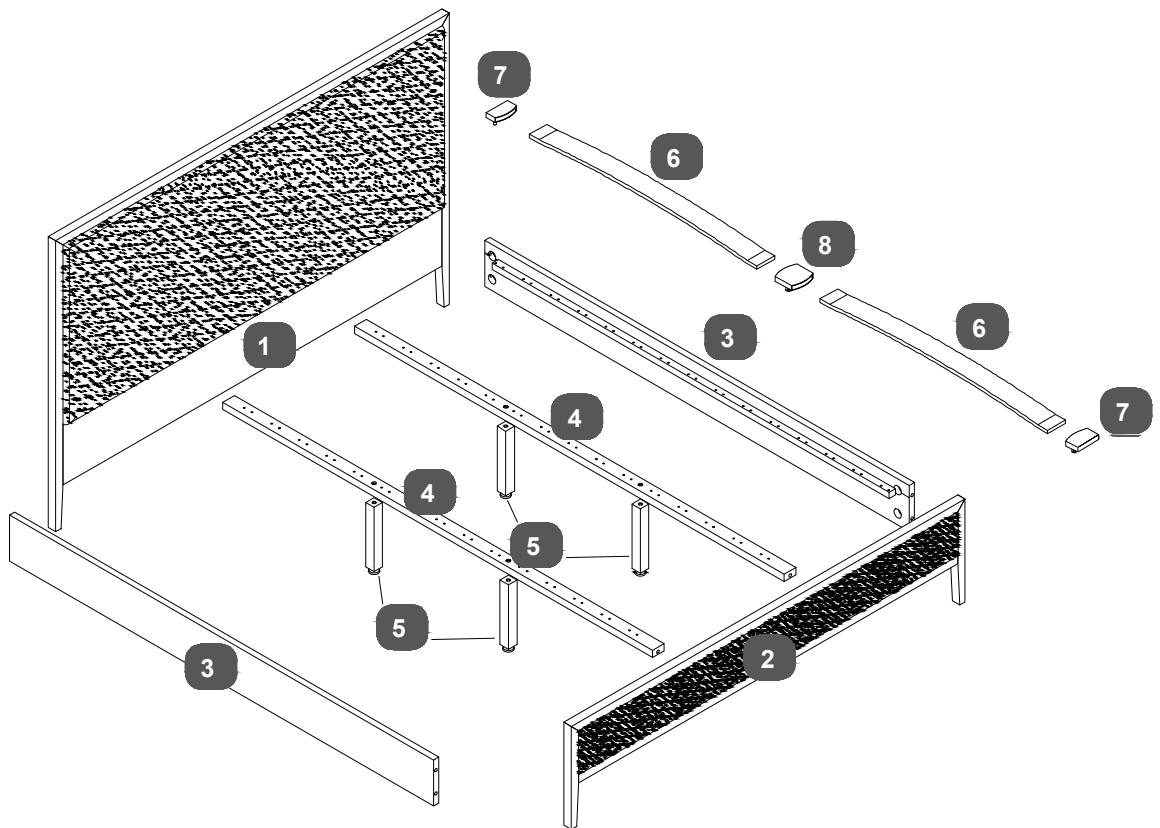
Please ensure that the packaging is disposed of in a safe and environmentally friendly way.

CAUTION: There are small components used in the construction of this unit. These loose items should be kept away from young children during assembly, to avoid the danger of choking.

IMPORTANT: BEFORE STARTING TO ASSEMBLE THE BED - PLEASE READ THESE INSTRUCTIONS CAREFULLY.

### Parts Identification

SUPER KING SHOWN












### Parts Checklist

Ref.	Description	Qty	Box	Ref.	Description	Qty	Box	
1	Headboard	1	1	5	Centre Rail Support Legs	Double / King/ Super king	2 / 2 / 4	3
2	Footboard	1	2	6	Bentwood Slats	Double / King/ Super king	28/30/45	3
3	Side Rail	2	3	7	Single Plastic Caps	Double / King/ Super king	28/30/30	3
4	Centre Rail	Double&King Super King	1 2	3				
				5	Centre Rail Support Legs	Double / King/ Super king	2 / 2 / 4	3
				6	Bentwood Slats	Double / King/ Super king	28/30/45	3
				7	Single Plastic Caps	Double / King/ Super king	28/30/30	3
				8	Double Plastic Caps	Double / King/ Super king	14/15/30	3

# Fittings Checklist

## HARDWARE NEEDED FOR BED ASSEMBLY

Code	Description		Qty	Box	Code	Description		Qty	Box
A	Bolt (M8x35mm) for fitting centre rail support legs		x2	3	E	Spring washer for M8 bolts		x10	3
		Double&King					Double&King		
B	Threaded Stud (M8x80mm) for fitting side rails (3&4) to headboard (1) and footboard (2)		x10	3	F	Half-moon Bracket		x10	3
		Double&King					Double&King		
C	Nut for M8 bolts		x10	3	G	Spanner for M8 bolts		x1	3
		Double&King					Double&King		
D	Flat washer for M8 bolts		x10	3	H	Dowel (M10x40mm)		x8	3
		Double&King					Double&King		
					K	Allen key for M8 bolts		x1	3

### Care & Maintenance

In the unlikely event of missing or damaged parts, please contact your retailer. Please have this guide at hand quoting the part code reference numbers shown when requesting spare or replacement parts.



### General Hints & Tips

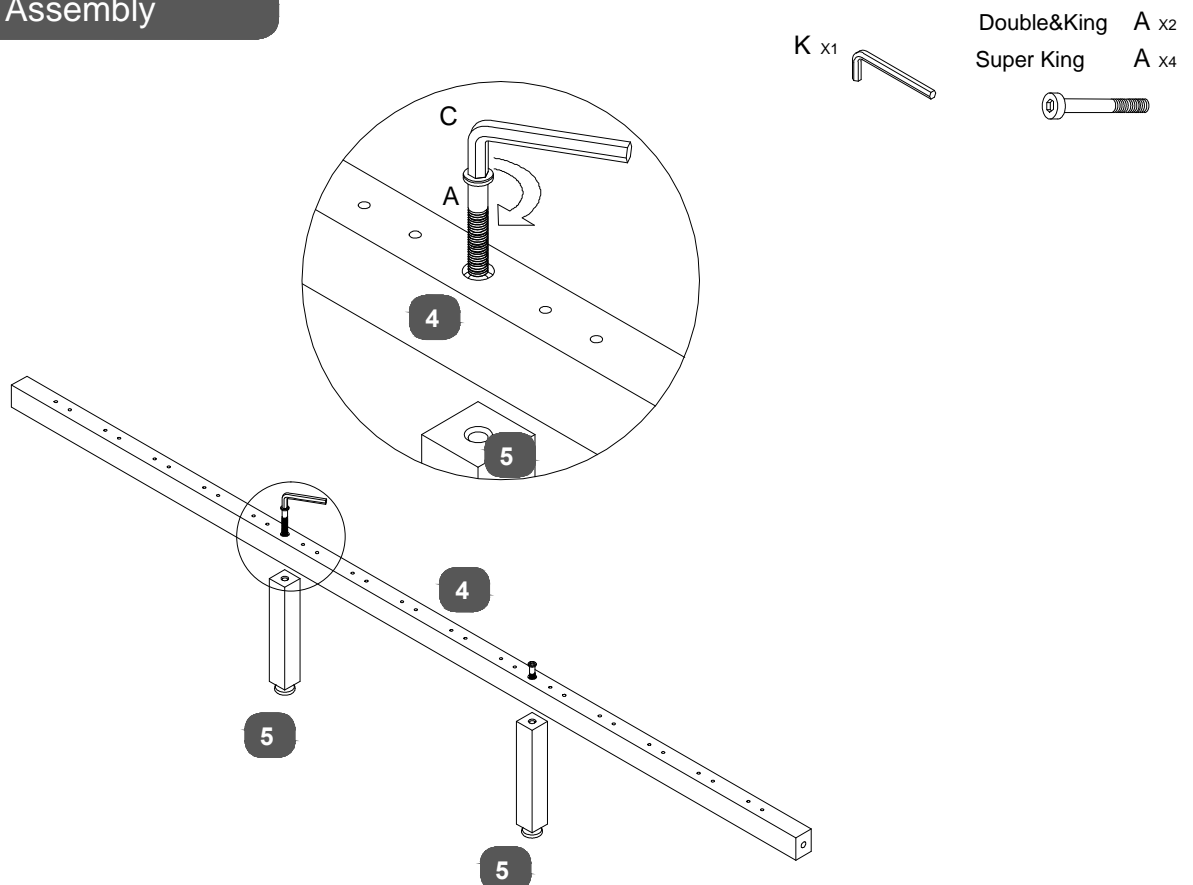
Please retain your assembly instruction and tools provided for future use. Periodically check that all bolts are still tight.



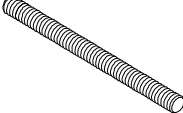

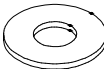


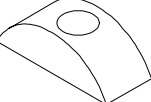
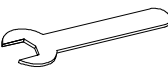
Approximate time to assemble this product

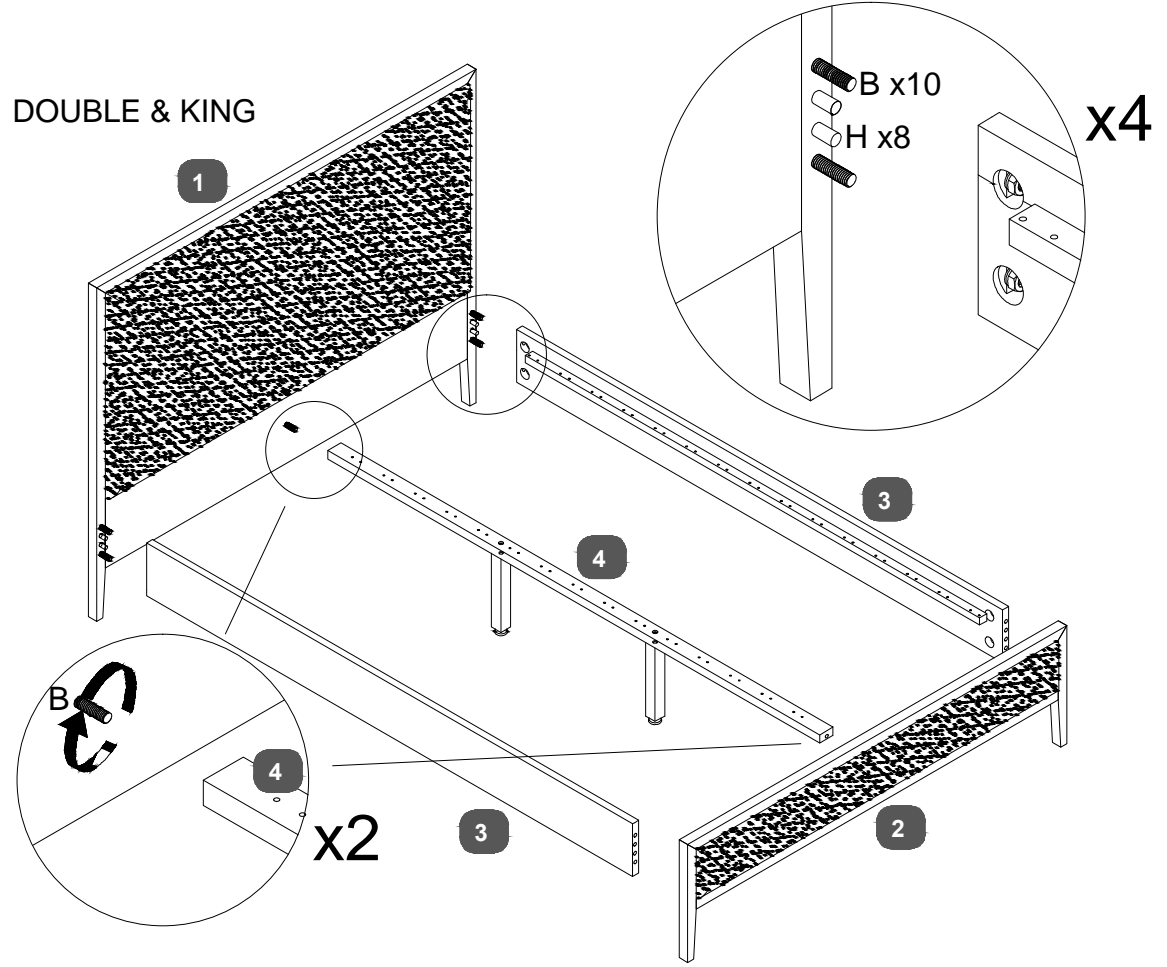
## Bed Assembly

Stage  
1

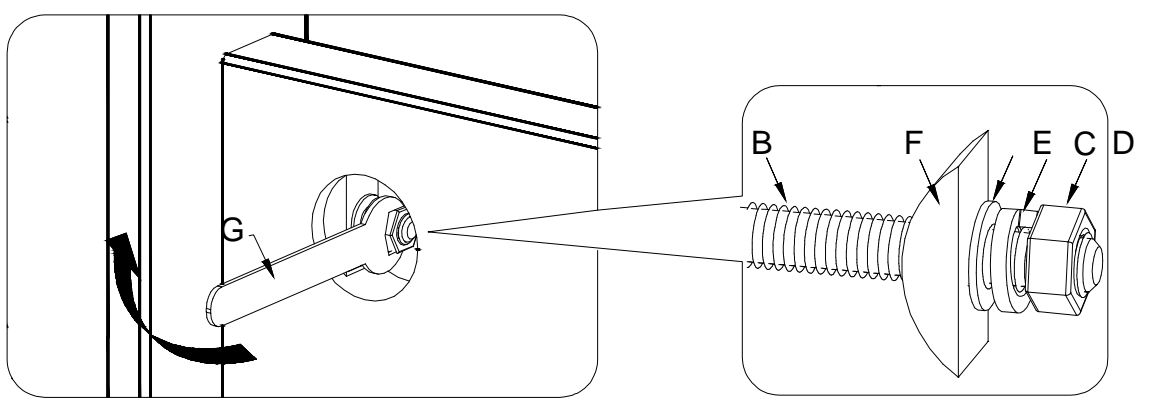


Stage  
2

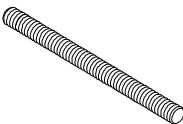

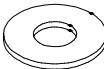


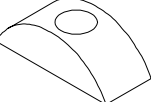
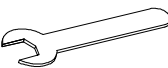
- B  x10
- C  x10
- D  x10
- H  x8
- E  x10
- F  x10
- G  x1

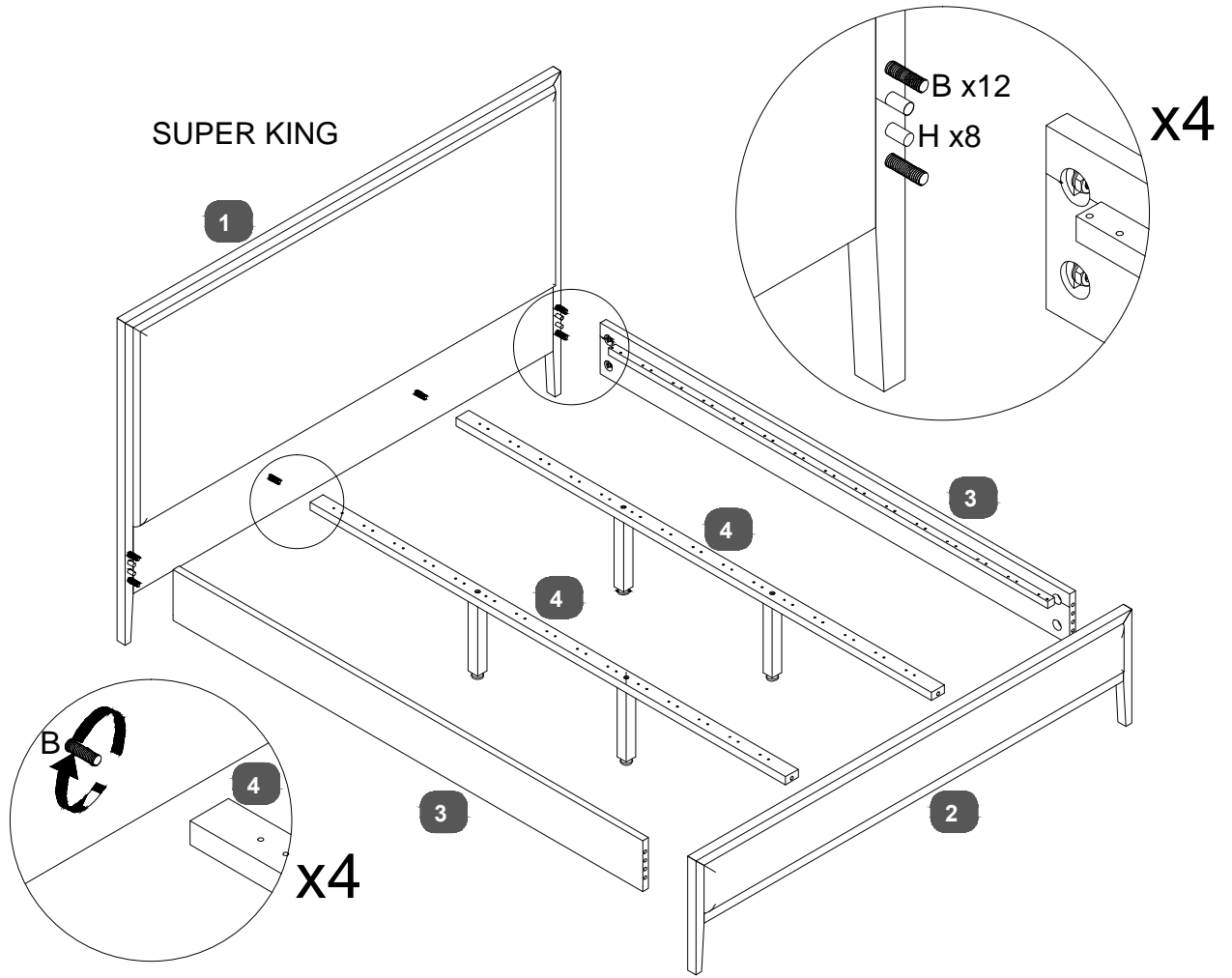


iii)

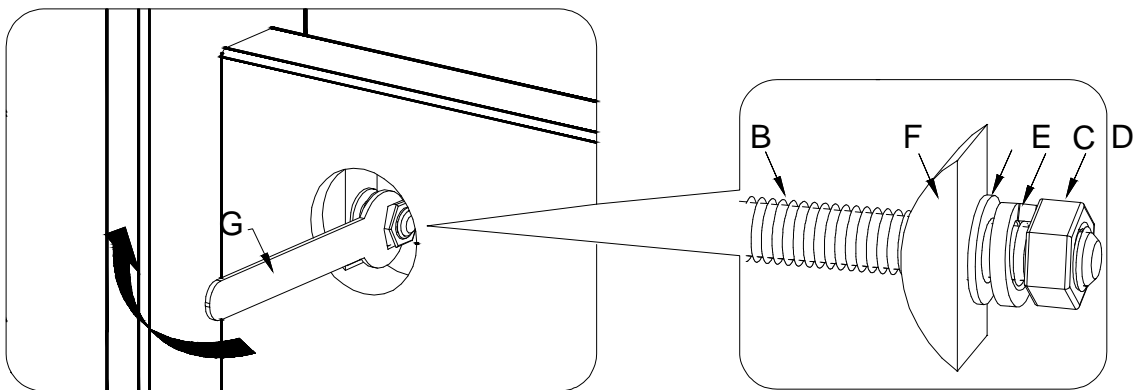


Stage  
3

- B  x12
- C  x12
- D  x12
- H  x8
- E  x12
- F  x12
- G  x1

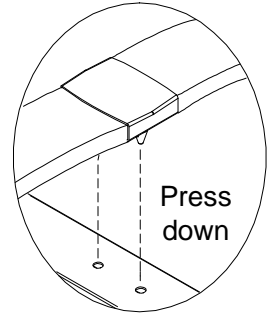
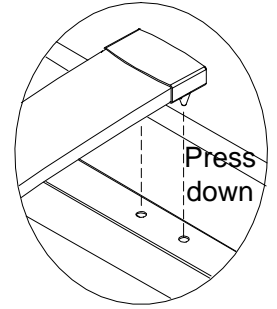
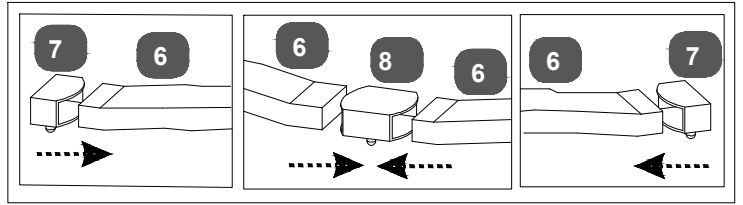
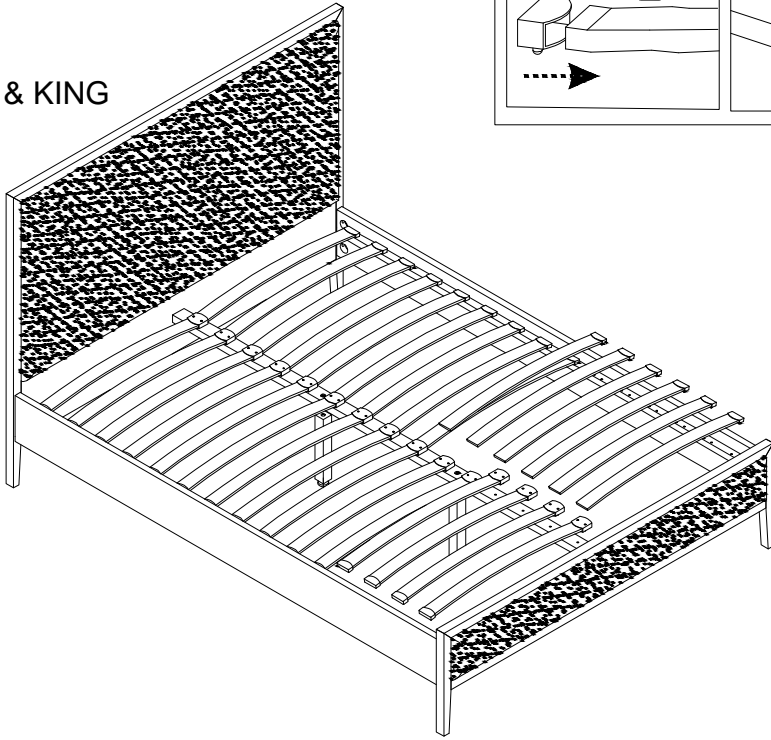


iii)



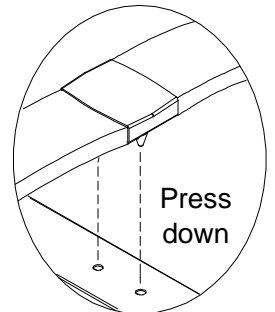
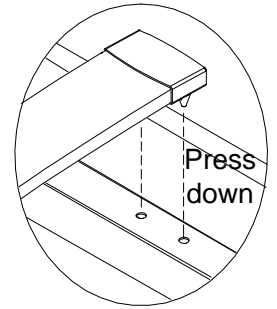
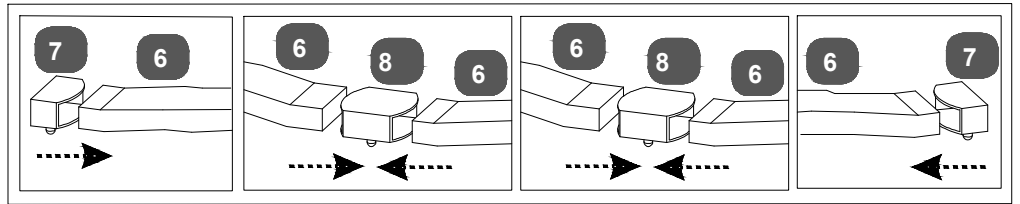
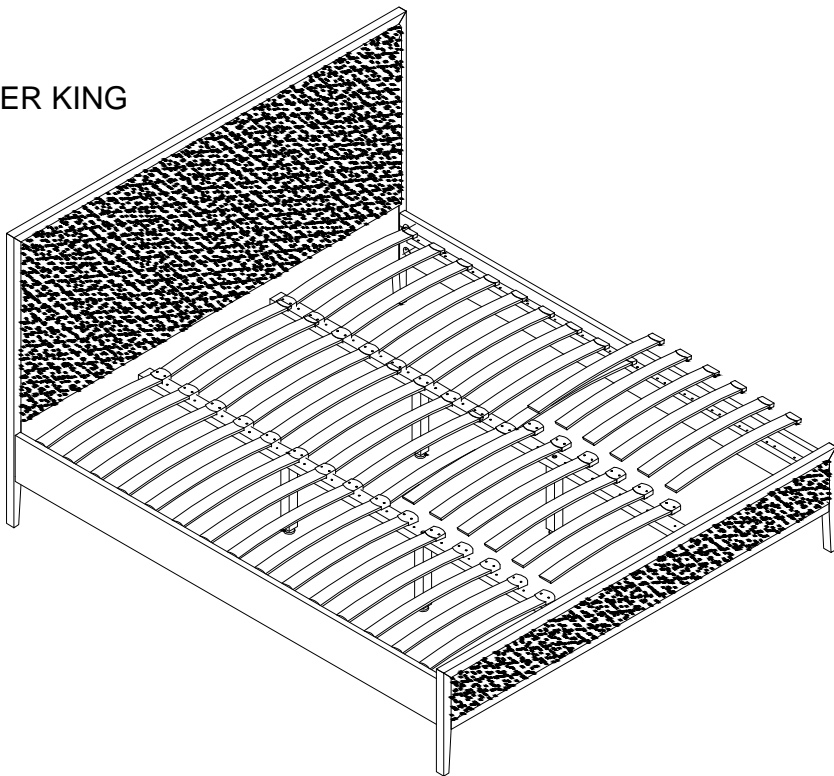
Stage  
4

DOUBLE & KING



Stage  
5

SUPER KING



## Technical Specifications

### Overall Dimensions (LWH cm)

Double:	205 x 142.5 x 120
King:	215 x 157.5 x 120
Super King:	215 x 187.5 x 120

### Storage Dimensions (LWH cm)

Double:	196 x 136.5
King:	206 x 151.5
Super King:	206 x 181.5

### Slats Dimensions (LWH cm)

Double:	67.5 x 5.3 x 0.9
King:	75.1 x 5.3 x 0.9
Super King:	60.0 x 5.3 x 0.9

Distance between slats 8 cm

